

Check In

Incorporating the G & S Advantage



Product Catalogue
2018



Product Catalogue
2018

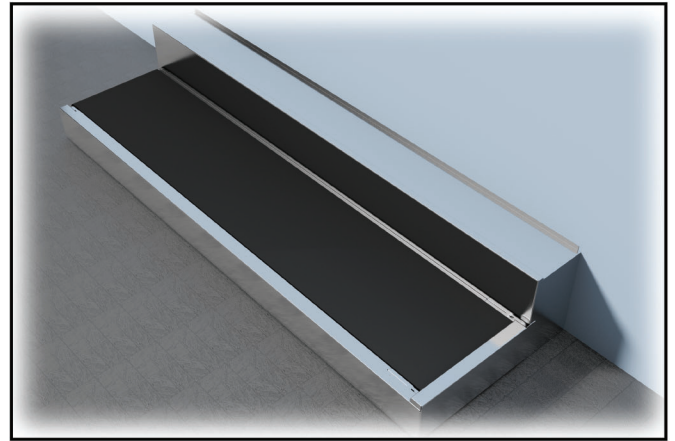
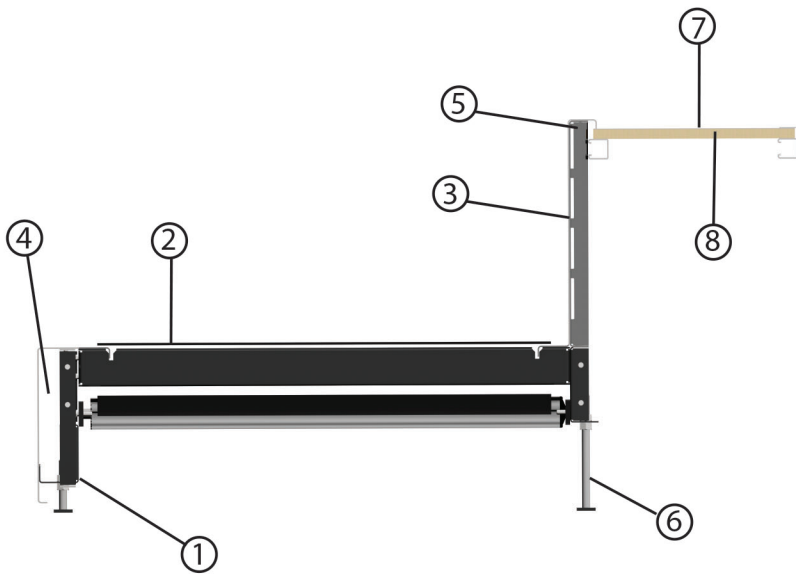


Conveyor Advantages

Modular Components

Robust Construction

Flexible Configurations



Features

- Stainless Steel Finish
- Various Top of Belts (Minimum 12")
- Various Belt Widths (Minimum 24")

ITEM	DESCRIPTION
1	Frame
2	Deck
3	High Side
4	Low Side
5	Upstand
6	Legs
7	Stainless
8	Plywood



Manufactured with durable materials, finished to the highest standards, and complimented with leading-edge mechanical and electrical components, this robust and reliable design meets or exceeds all industry standards needs.