

# General Transport

Incorporating the G & S Advantage



Product Catalogue  
2018



Product Catalogue  
2018

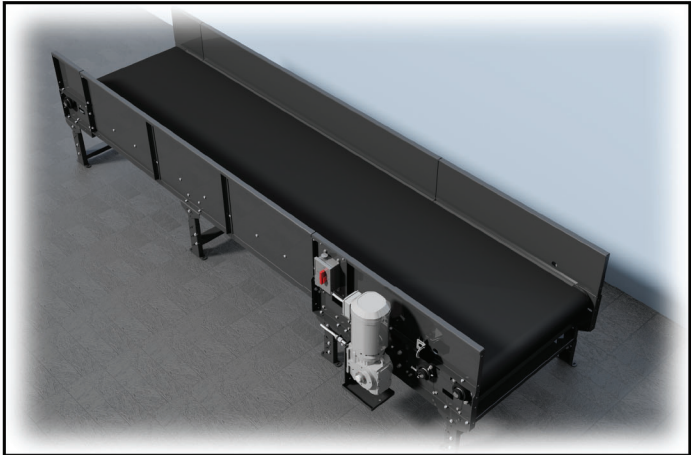
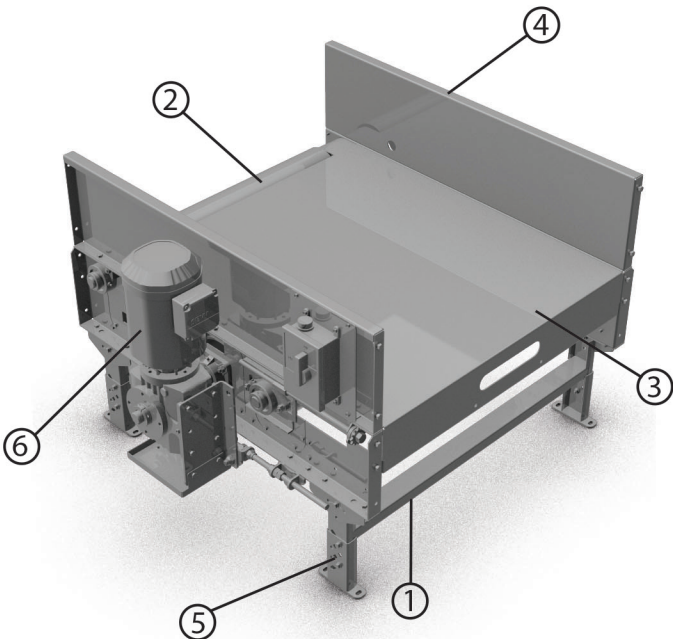


### Conveyor Advantages

Modular Components

Robust Construction

Flexible Configurations



### Features

- Powder Coat Finish with choice of color
- Various Top of Belts (Minimum 12")
- Various Belt Widths (Minimum 24")

ITEM	DESCRIPTION
1	Frame
2	Roller
3	Deck
4	Side Guard
5	Legs
6	Motor



Manufactured with durable materials, finished to the highest standards, and complimented with leading-edge mechanical and electrical components, this robust and reliable design meets or exceeds all industry standards.